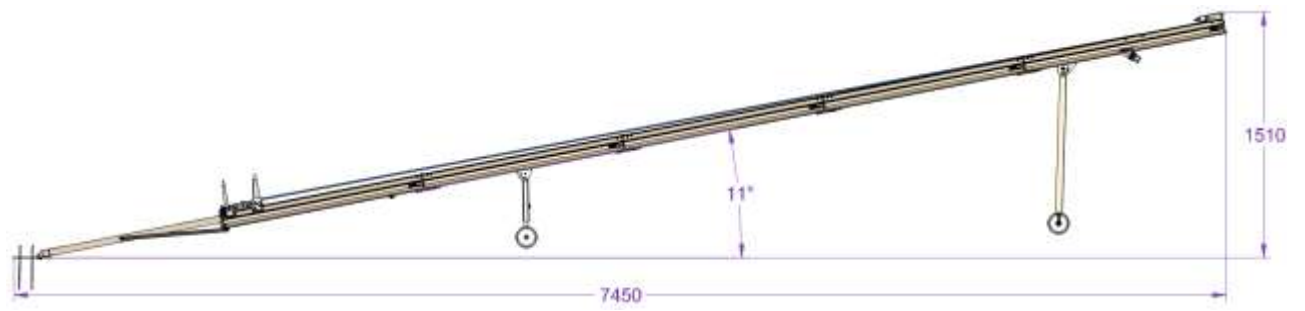
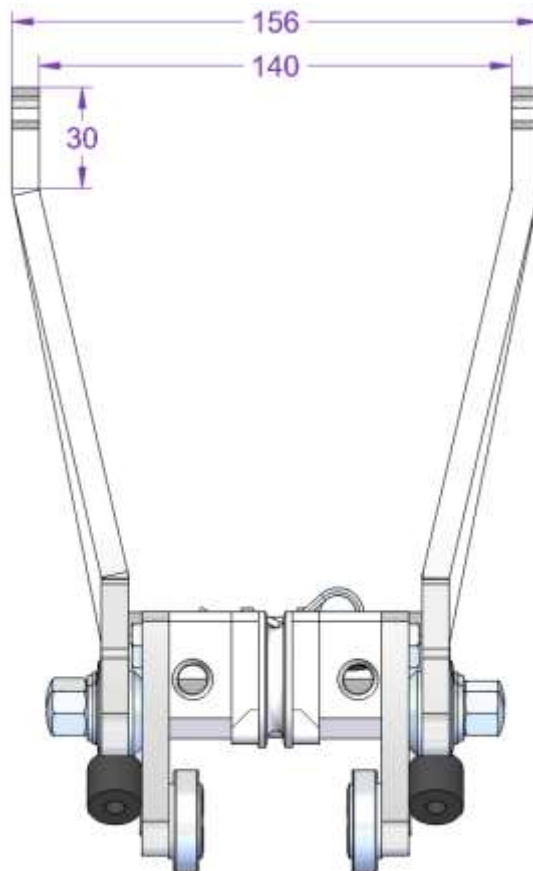
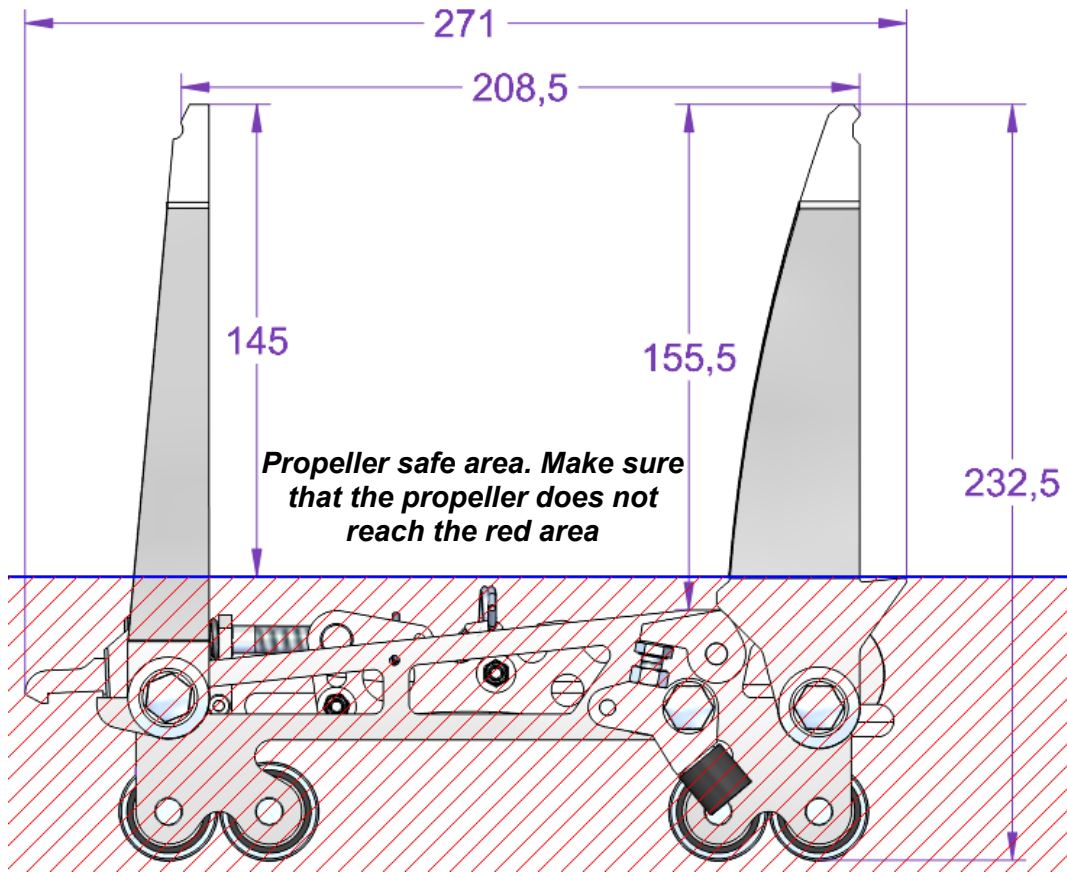


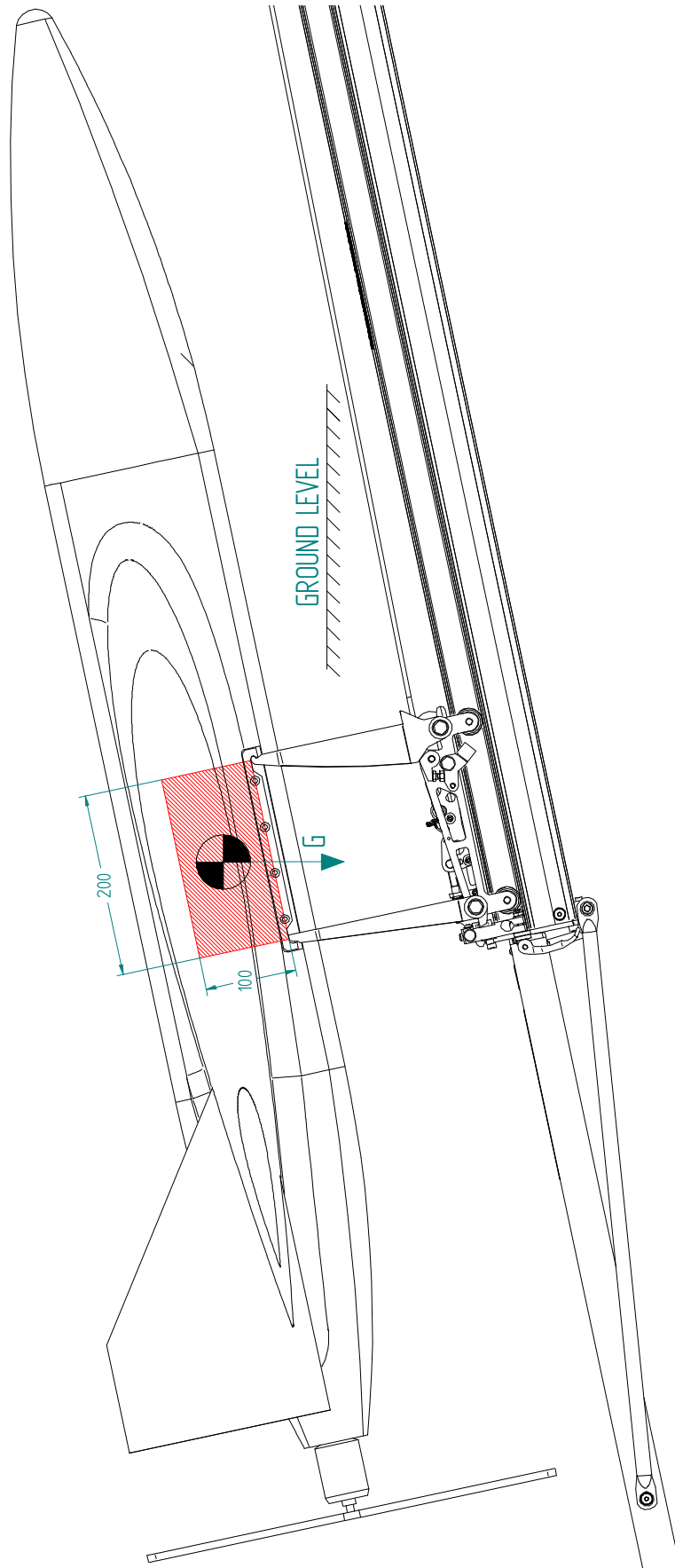
1

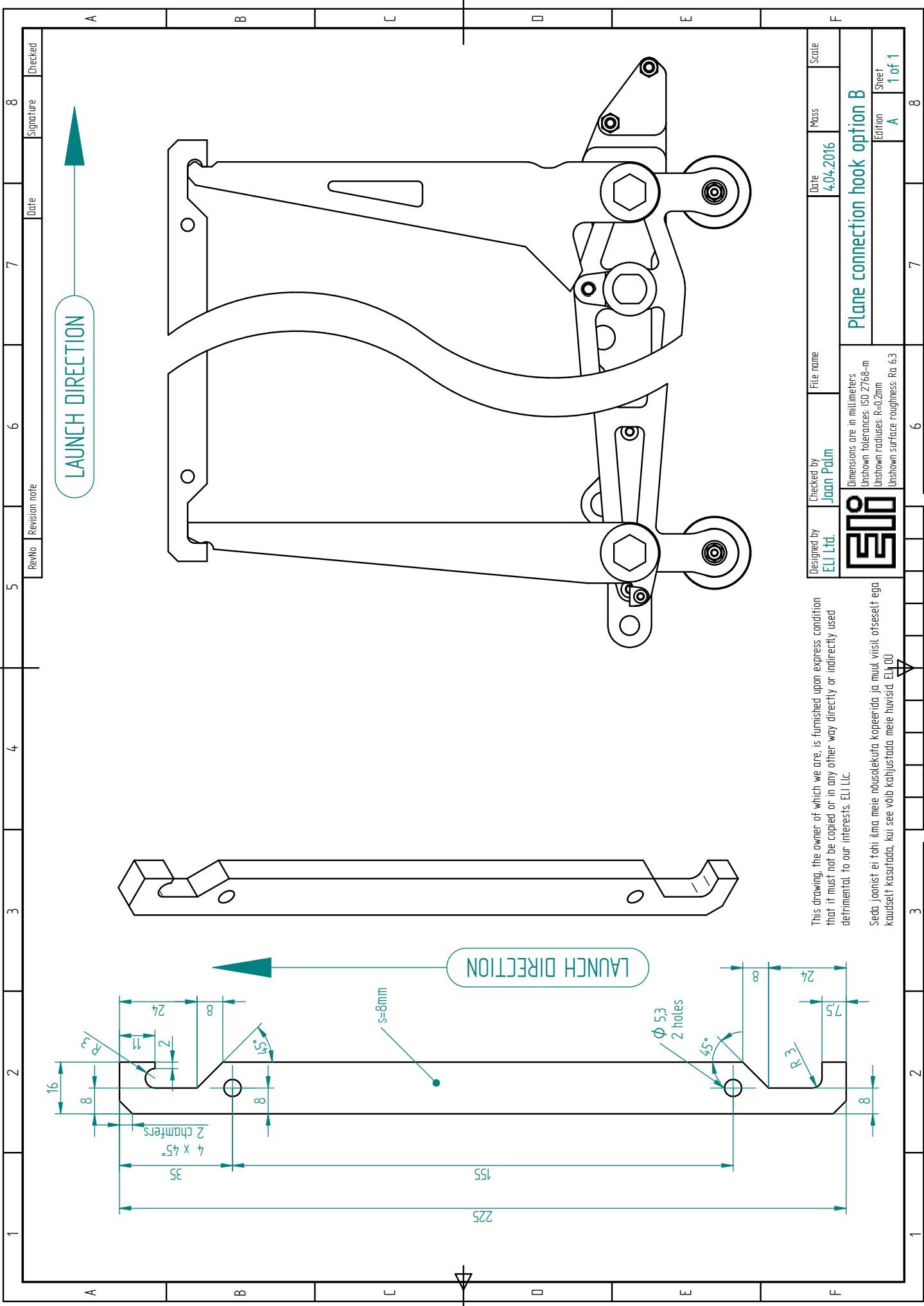
1 Plane installation documentation in standard configuration





ALLOWED CENTER OF MASS POSITION
FOR LAUNCHED PAYLOAD





LAUNCH DIRECTION

LAUNCH DIRECTION

8	7	6	5	4	3	2	1
---	---	---	---	---	---	---	---

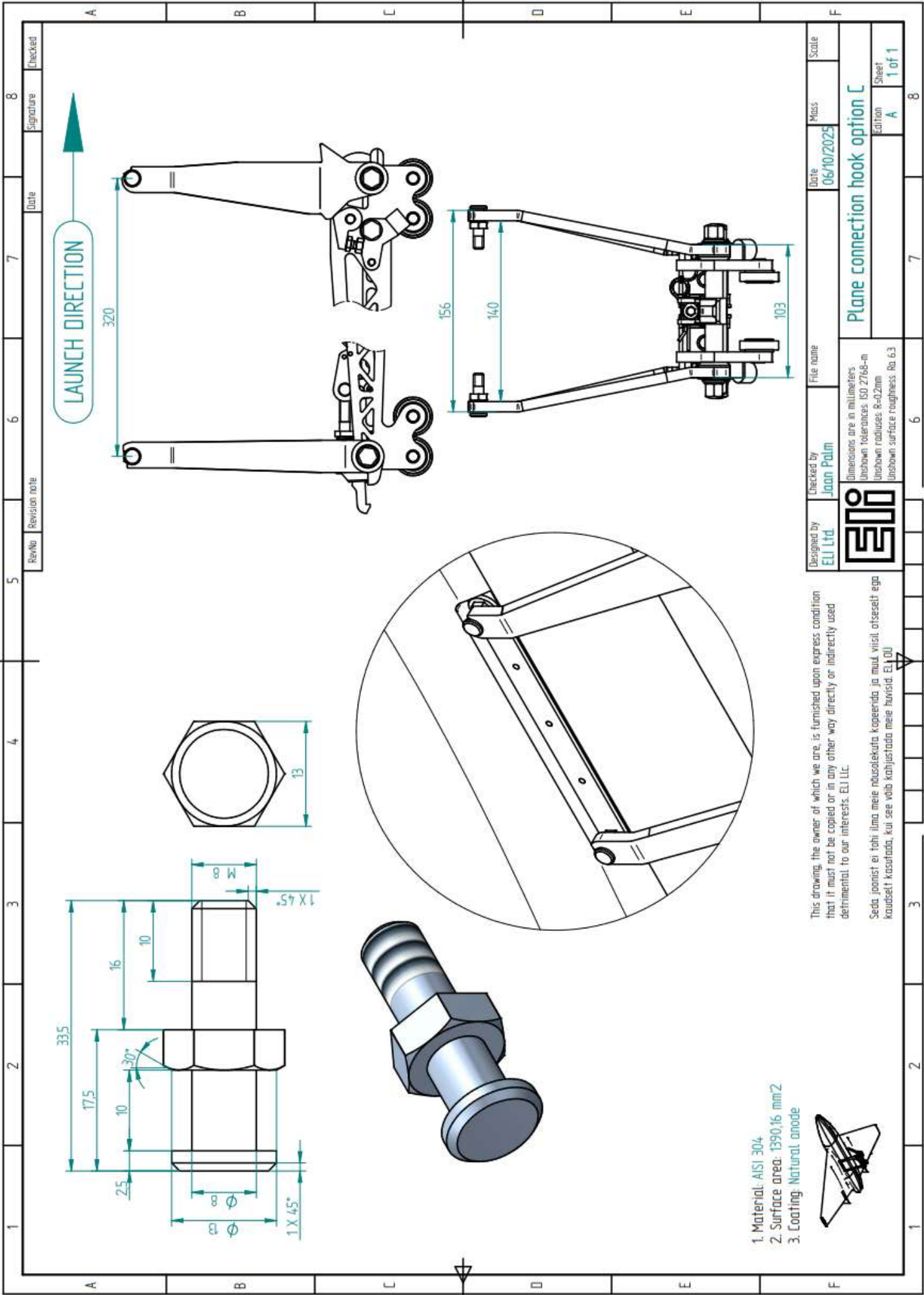
Signature	Date	Revision note	Checked

Designed by ELI Ltd.	Checked by Jaan Palm	File name	Date 4.04.2016	Mass	Scale
<p>Dimensions are in millimeters Unshown tolerances: ISO 2768-m Unshown radiuses: R=0.2mm Unshown surface roughness: Ra 6.3</p>					
ELI					
Plane connection hook option B					
Edition A					Sheet 1 of 1

This drawing, the owner of which we are, is furnished upon express condition that it must not be copied or in any other way directly or indirectly used detrimental to our interests. ELI LLC.

Seda joonist ei tohi ilma meie nõusolekuta kopeerida ja muul viisil otseselt ega kaudselt kasutada, kui see võib kahjustada meie huvist. ELI OÜ

A	B	C	D	E	F
---	---	---	---	---	---




1. Material: AISI 304
2. Surface area: 1390,16 mm²
3. Coating: Natural anode



This drawing, the owner of which we are, is furnished upon express condition that it must not be copied or in any other way directly or indirectly used detrimental to our interests. ELI LLC.

Seda joonist ei tahi ilma meie nõusolekuta kopeerida, ja muud viisid otseselt ega kaudselt kasutada, kui see võib kahjustada meie huvideid. ELI LLC

Designed by ELI Ltd.	Checked by Juan Palm	File name	Date 06/10/2025	Mass	Scale
			Plane connection hook option C		
<small>Dimensions are in millimeters: Unshown tolerances ISO 2768-m Unshown radiuses R=0,2mm Unshown surface roughness Ra 6,3</small>			Edition A	Sheet 1 of 1	